



12 M26.3

IMO III / EPA IV

4 stroke diesel engine, direct injection, common-rail

Bore and stroke	150 x 150 mm
Number of cylinders	12 in V @ 90°
Total displacement	32,8 litres
Compression ratio	15/1
Engine rotation (ISO 1204 standard)	counterclockwise
Idle speed	650 rpm
Flywheel housing	SAE 0
Flywheel	SAE 18"



Our Advanced Engines with SCR Deliver:

- A cleaner engine with the same power
- Up to 2% reduction in average fuel consumption
- High degree of installation flexibility
- Up to 25% noise reduction
- Compact, modular design
- Optimized maintenance schedule in line with the engine
- Approved by most IACS Members

Rated power - Fuel consumption

Duty	kW	hp	rpm	BSFC* g/kWh	IMO	EPA
P1	883	1200	1800	197	III	IV
P2	970	1320	1800	201	III	IV
P2	1030	1400	2100	204	III	IV
P2	1104	1500	2200	209	III	IV
P3	1214	1650	2300	215	III	IV

*Declared at IMO III rating cycle E3

	P1	P2	P3
Application	unrestricted continuous	continuous	intermittent
Engine load variations	very little or none	numerous	important
Mean engine load factor	80 to 100%	30 to 80%	50%
Annual working time	more than 5000 h	3000 to 5000 h	1000 to 3000 h
Time at full load	unlimited	8 h each 12 h	2 h each 12 h

Power definition

Standard ISO 3046/1 - 1995 (F)

Reference conditions

Ambient temperature	25 °C / 77 °F
Barometric pressure	100 kPa
Relative humidity	30%
Raw water temperature	25 °C / 77 °F

Fuel oil

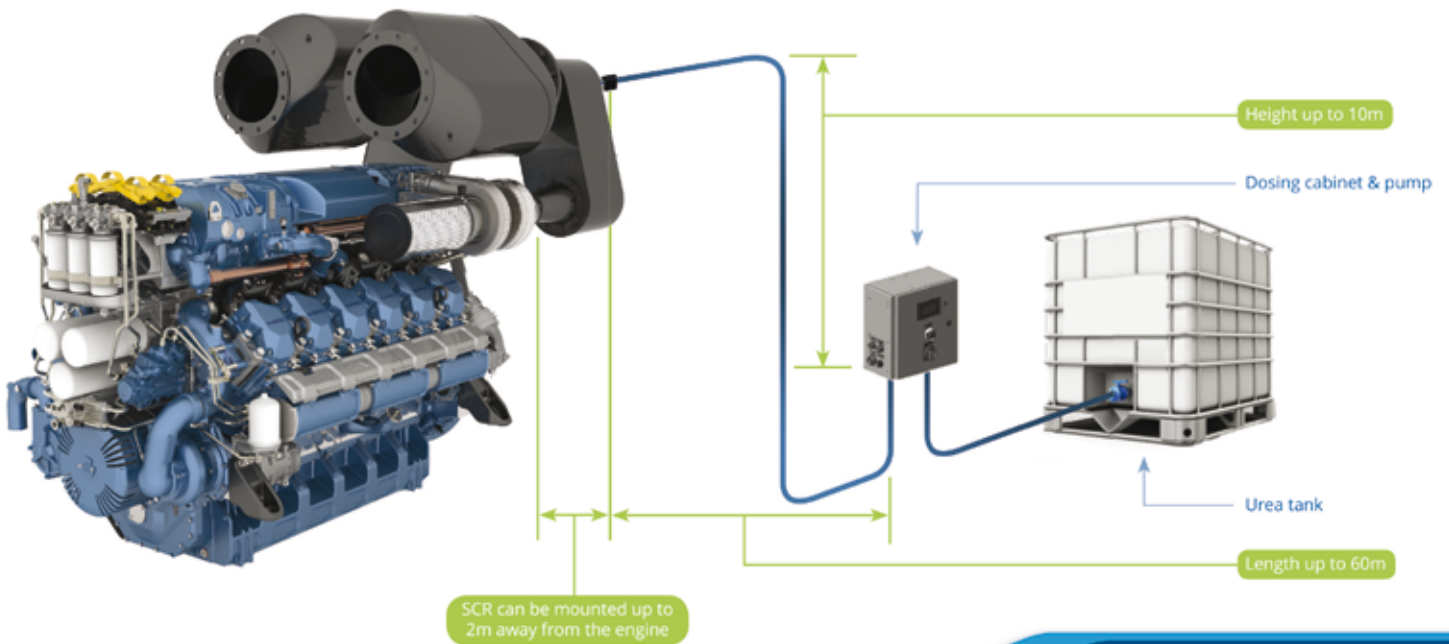
Relative density	0,840 ± 0,005
Lower calorific power	42 700 kJ/kg
Consumption tolerances	0 ± 5%
Inlet limit temperature	35 °C / 95 °F

Our ratings also comply with classification societies maximum temperature definition without power derating.

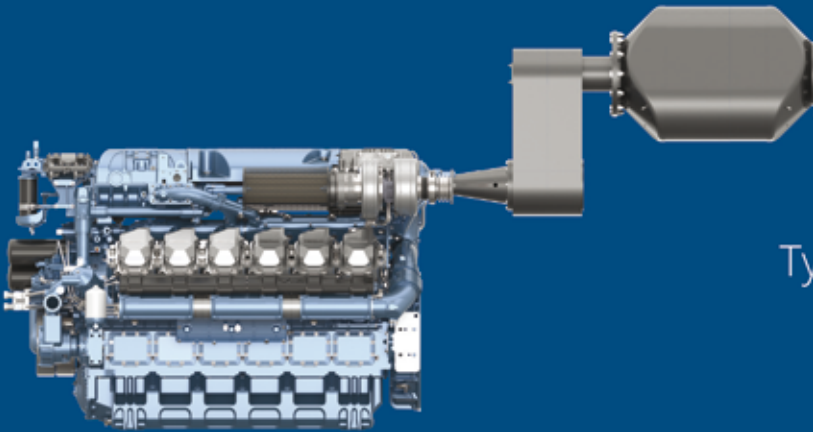
Ambient temperature	45 °C / 113 °F
Raw water temperature	32 °C / 90 °F

Superior Installation Flexibility

One of the biggest advantages of the Baudouin SCR System is the high degree of installation flexibility. You have the freedom to place the tank, pump and cabinet up to 60m away from the catalyst. Designed with our customers in mind, our SCR system can be installed over the gearbox, over the engine, or in a stand-alone configuration which offers exponential options for installation. These configurations offer complete flexibility in both new builds and repowering projects.



Typical Over Gearbox Installation



Typical Over Engine Installation



Design Support

Full design support is available from Baudouin to help you integrate the system into your installation. We can provide advice on mounting, materials, storage, maintenance and dimensioning of the urea storage tank volume.



MOTEURS
Baudouin